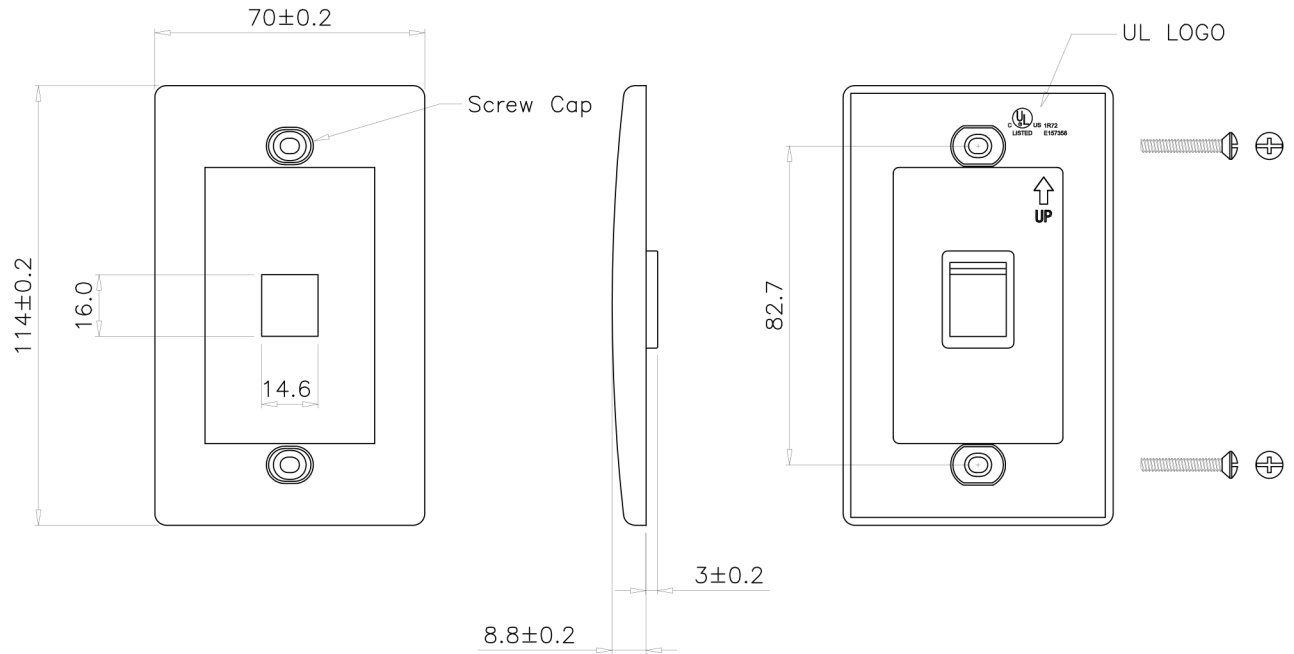
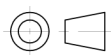



SCALE 1/2



Specification :

1. Material : ABS UL 94V-0.
2. Screw : 6 # x 25.
3. Screw Caps : ABS UL 94V-0.

GENERAL TOLERANCE OF DIMENSIONS x.xxx ±0.005 x.xx ±0.05 x.x ±0.1	DRAWING	25.FEB.2004	Nick	<b>ConnEX</b>
	CHECK	25.FEB.2004	YTY	
	APPROVAL	25.FEB.2004	Magic	
		DATE	NAME	ITEM NO.: <b>NTL-P1-WH</b>
SCALE	1/2 (A4)	UNIT	mm	DES.: Flush Plate, 1 Port, Vertical
		DRAWING NO. <b>NTL-P1-WH</b>		
		DRAWING CLASSIFICATION	S SHEET 1 OF 1	